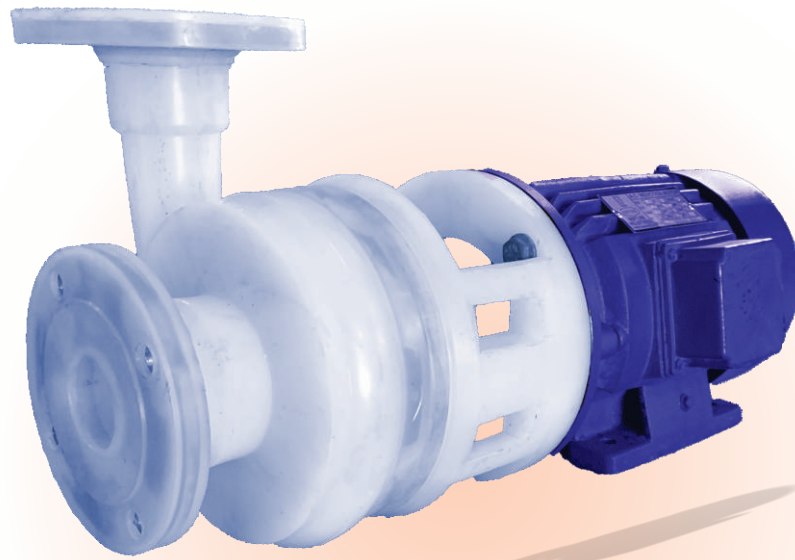


Innovation in Anti-Corrosive Solutions



FEP / PFA / PVDF Molded Complete
Non-Metallic Chemical Process Pumps
- Up To 260°C / 500°F

Highly Corrosion Resistant Molded / Lined
Parts & Products with Fluoropolymers like
FEP / PFA / PVDF



PARAFLOEN ENGG. CO.

AN ISO 9001:2015 CERTIFIED COMPANY



+91 98986 66244
info@paraflonpumps.com



+1 904 504 6463
paraflon@gmail.com

www.paraflonpumps.com

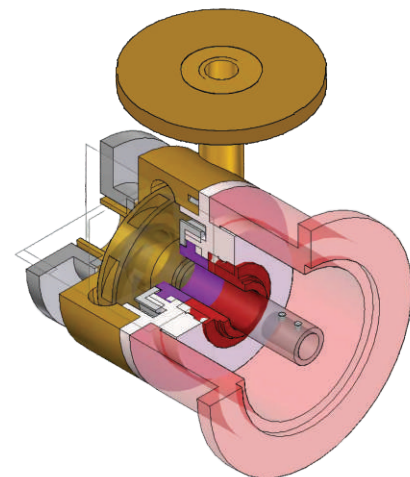
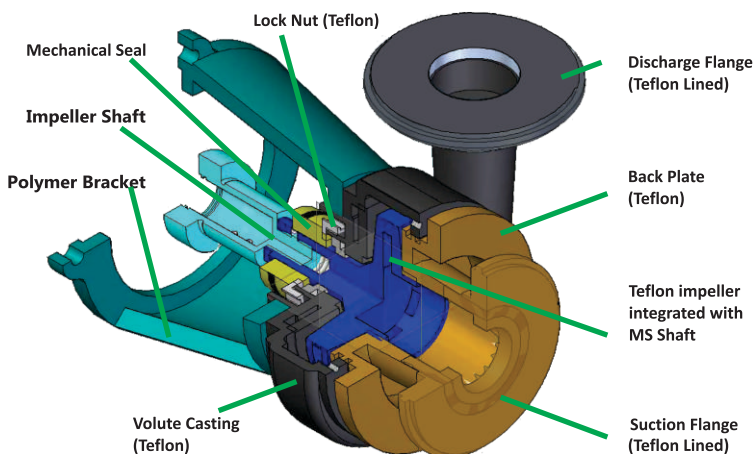
www.paraflon.in

ABOUT US

Parafion Engineering Company was established in the year 2003, with the aim of manufacturing Non Metallic Centrifugal Pumps with closed and open impellers. The company today, is the first manufacturer of PFA/ FEP/PVDF molded complete non-metallic chemical process pumps in India. We also manufacture various highly corrosive chemical resistant lined/molded parts and products.

Our company has passed the ISO 9001:2015 international quality system certification. Our Products are widely used in chemical, pharmaceutical, environmental protection, metallurgy, paper, electronics, steel and other fields.

Our products resist highly corrosive chemicals at higher temperature products such as acids, alkalis, solvents and other corrosive liquids used in the Chemical Process, Petrochemical process, Refinery, Oil extraction, Bulk Drug Manufacturing, Power Generation, Food Processing, Effluent Treatment, Steel plants and similar core Industrial uses of Non-Metallic centrifugal pumps worldwide.



WORKING PERFORMANCE :

Flow Capacity Range : 1-50 m³/h / 220 gpm

Pump Head Range : 2-32 m / 6 to 105 ft

Working Temperature : UPTO 260°C / 500°F

Discharge Pressure : Max 3.2kg/cm²/45psi/315kPa

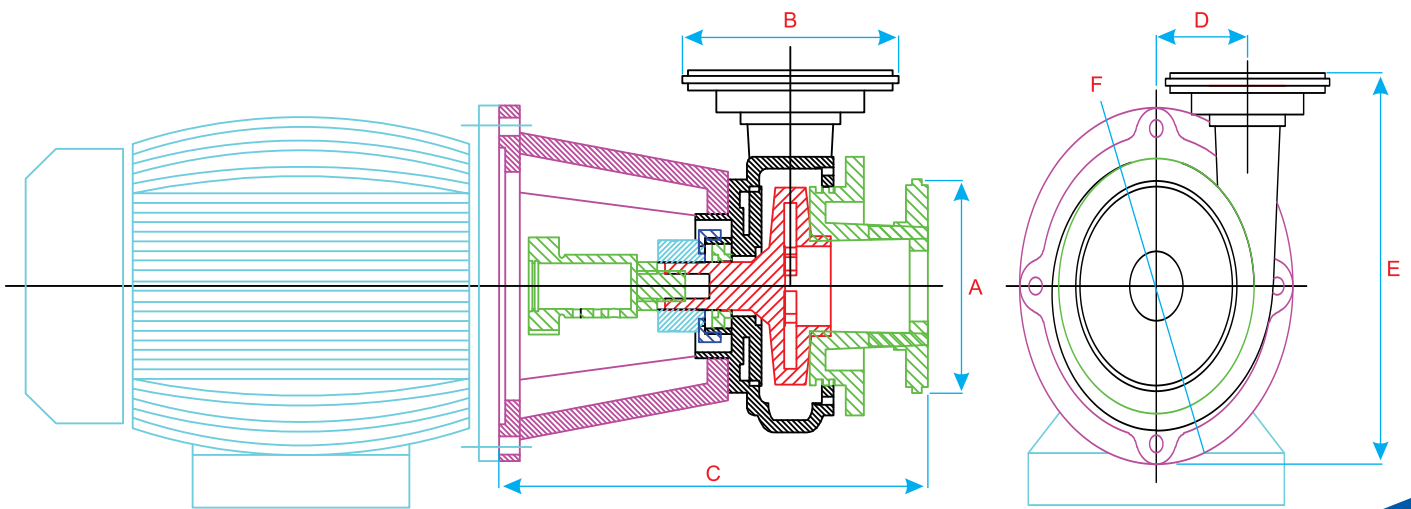
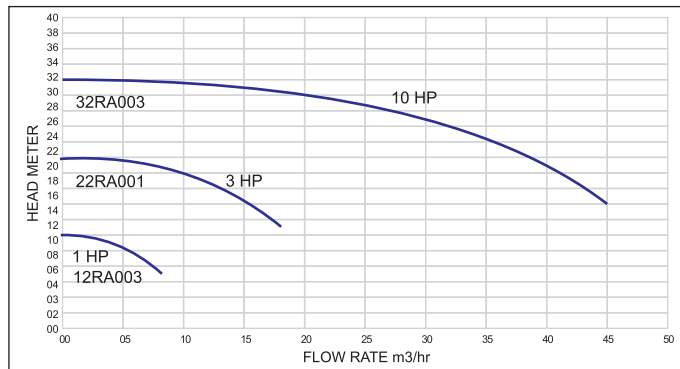
PUMP MATERIALS :

1. Pump Body : FEP/PFA,PVDF
2. Flow Component : FEP/PFA,PVDF
3. Mechanical Seal : GFT/Alumina Ceramic (Silicon Carbide); PTFE
6. BRACKET : PPH
7. Motor : FLP / NON FLP MOTOR
(as per requirement / environment)

Paraflon Chemical Process Pumps are single-stage, FEP/PFA/PVDF molded centrifugal pump with external installed mechanical seals having heavy duty horizontal design. The pump design permits dismantling of complete unit within a fraction of time. One of the first kind the Pump body with complete molded FEP/PFA/PVDF, back-plate and impeller with metal inserts are molded with FEP/PFA/PVDF are embedded pieces of metal fluorine plastic. Paraflon pumps are designed in a way that all components, which come into contact with the medium are either FEP/PFA/PVDF molded/lined or made of other resistant materials, e.g. silicon carbide.

Paraflon pumps are whole plastic pump body, cantilever structure with no load bearing, but light and easy to maintain.

FEP/PFA/PVDF NON-METALLIC CHEMICAL PROCESS PUMPS FAMILY CURVES



MODEL (PUMP SERIES)	FLOW CAPACITY		HEAD		DIAMETER		POWER		ROTARY SPEED (RPM)
	m ³ /h	gpm	m	ft	INLET	OUTLET	HP	kW"	
22 RA001	18	80	22	72	2" (50MM)	1 1/2" (40MM)	3	2.25	2880
32 RA002	50	220	32	105	3" (80MM)	2 1/2" (65MM)	10	7.5	2880
12 RA003	8	35	12	40	1 1/2" (40MM)	1" (25MM)	1	0.75	2880
42 RA004	22	100	30	98	3" (80MM)	2 1/2" (65MM)	5	3.75	2880
52 RA005	40	176	26	85	3" (80MM)	2 1/2" (65MM)	7.5	5.5	2880

CAPACITY : FLOW 1 TO 50 m³/h, Head 2 TO 32m

MODEL (PUMP SERIES)	DIAMETER		A(mm)	B(mm)	C(mm)	D(mm)	E(mm)	F(mm)
	INLET	OUTLET						
22 Ra001	2" (50MM)	1 1/2" (40MM)	160	145	250	72	250	180
32 Ra002	3" (80MM)	2 1/2" (65MM)	180	180	355	110	330	255
12 Ra003	1 1/2" (40MM)	1" (25MM)	140	140	220	55	200	145
42 Ra004	3" (80MM)	2 1/2" (65MM)	180	180	355	110	330	255
52 Ra005	3" (80MM)	2 1/2" (65MM)	180	180	355	110	330	255

Actual use showed that the pump has the advantages of corrosion resistance, wear resistance, high temperature resistant, not aging, high mechanical strength, stable operation, advanced structure, reliable sealed performance, simple disassembly and maintenance, low noise, long service life etc.

Paraflon pumps are in accordance with international standards and non-metallic pump technology combined with design and manufacturing.

Our pump adopts the most advanced externally mounted TEFLON® bellows mechanical seal, which is characterized by compensating for the radial runout of the pump shaft, single-end seal externally mounted, easy to install and remove, intuitive working state, and good corrosion resistance and wear resistance. It has multi-layer protection, which prolongs the service life of the mechanical seal. The static ring is made of ceramic and the moving ring is made of TEFLON® filling material (or other materials according to the user's special working conditions). When transporting SPECIAL corrosive media containing impurity particles, it can be equipped with SILICONE CARBIDE mechanical seal without cooling water.

APPLICATION Chemically aggressive, even contaminated, media throughout the whole range of chemical processing technology, surface coating technology, environmental engineering and other areas of industry. The pump can be used in transporting strong corrosive medium of any concentration, such as sulfuric acid, hydrochloric acid, nitric acid, acetic acid, aqua regia, strong alkali, strong oxidants and organic solvents, etc. It is one of the most advanced corrosion-resistant equipment.

- Chlor-Alkali Electrolysis
- Sulphuric acid
- Steel and Stainless steel pickles
- Titanium dioxide
- Phosphoric acid
- Sea water
- Waste incineration (flue gas cleaning)
- Scrubber
- Waste water
- Hydrochlorid acid



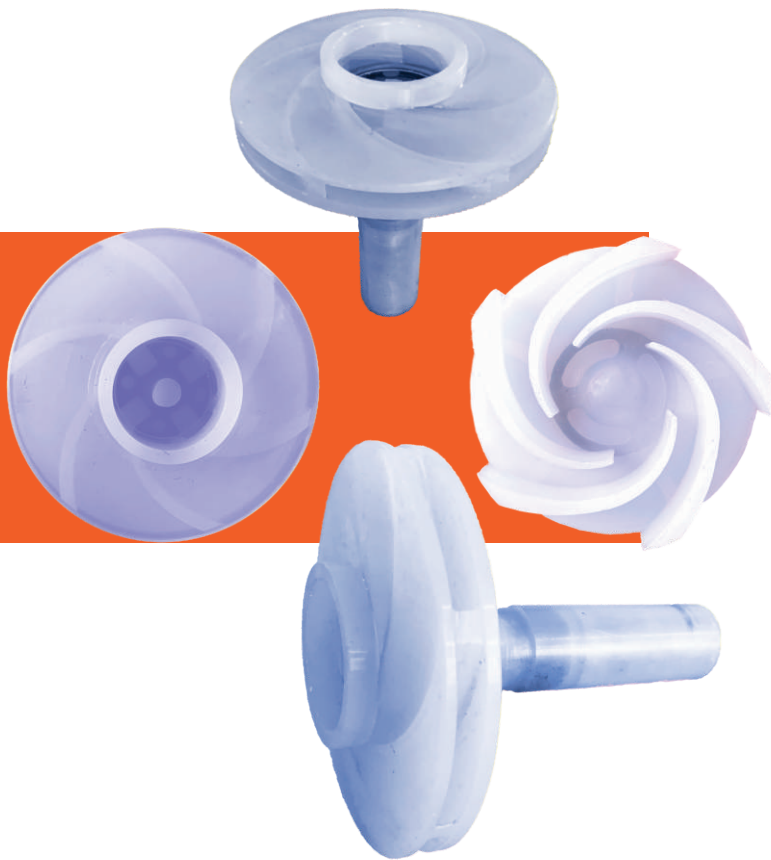
PARAFLON ENGG. CO.

DETAILS

Pump CASING (VOLUTE)

Fluorinated material FEP/PFA/PVDF molded

- Resistance to corrosion
(Resistance to environmental exposure as well)
- Wear resistance, high temperature resistance,
no aging & peeling, high mechanical strength
- Has advanced and logical structure



IMPELLER (CLOSED/ SEMI OPEN)

Impeller with METAL INSERTS MOLDED WITH FEP/PFA/PVDF

- T impeller
- High temperature resistance,
safety and reliability
- Resistant to corrosion
- Not easily deformed
- High mechanical strength

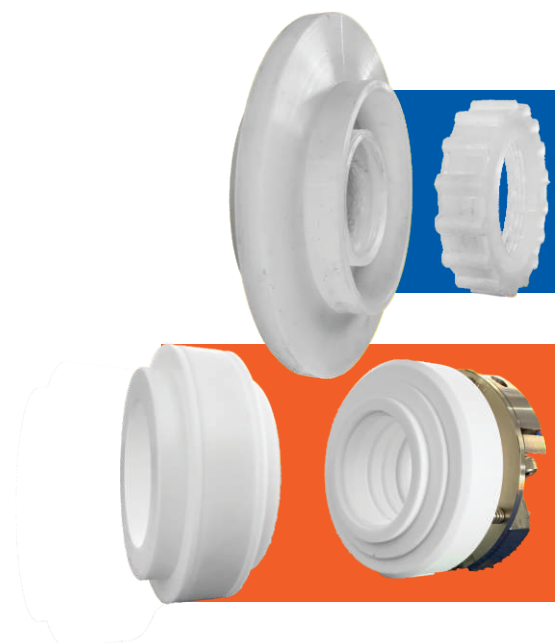
BACK PLATE

Fluorinated material - FEP/PFA/PVDF molded

- Resistance to corrosion
(Resistance to environmental exposure as well)
- Wear resistance, high temperature resistance,
no aging & peeling, high mechanical strength-
Has advanced and logical structure

Mechanical Seal

- Teflon bellow MECHANICAL SEAL with
SILICONE carbide face
- Modified seal
- Better performance, more reliable
- Strong mechanical robustness, hard aging, no
toxin broken up, and strong corrosion resistance



PRODUCTS :

- FEP/PFA/PVDF molded complete non-metallic chemical process pumps
- Spare parts related to Glass Lined Reactors (FEP/PFA/PVDF/PP Lined)
- Flush Bottom Valves (FEP/PFA/PVDF/PP Lined)
- Protection Ring (FEP/PFA/PVDF/PP Lined)
- ManHole covers (FEP/PFA/PVDF/PP Lined)
- Ball Valves (FEP/PFA/PVDF/PP Lined)
- Diaphragm Valves (FEP/PFA/PVDF/PP Lined)
- Butterfly Valves (FEP/PFA/PVDF/PP Lined)



PTFE LINED PRODUCTS :

- PTFE lined pipes
- PTFE lined bend
- PTFE lined flanges
- PTFE lined tee
- PTFE lined deep pipes
- PTFE lined sight glass



PTFE PRODUCTS :

- Expansion Joints
- Bellows
- Liner / Tubes
- Rod
- Sheet
- Bush
- Customized Parts
- Gaskets
- Washers
- Gland packing





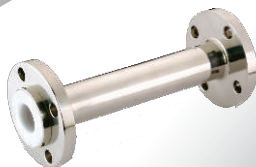
FEP/PFA LINED
REDUCING
TEE



FEP/PFA LINED
INSTRUMENT
TEE



FEP/PFA LINED
ECCENTRICE
REDUCER



PTFE
LINED
PIPE



PTFE LINED
ELBOW
45°



FEP/PFA
LINED BAL
VALVE



FEP/PFA
LINED ELBOW
90°



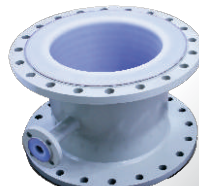
PROTECTION
RING



SIGHT
GLASS



FEP/PFA
LINED REDUCING
FLANGES



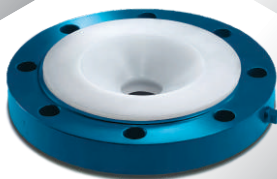
PFA LINED PARTS OEM
TOWER SECTION
FOR TANK



FEP/PFA
LINED REDUCER &
REDUCING
FLANGES



FEP/PFA LINED
REDUCER1



FEP/PFA LINED
REDUCER



FEP/PFA
LINED
CROSS



FLUSH BOTTOM
VALVE



SPINDLES



INTSTRUMENT
TEE

OUR VALUABLE CLIENTS:

- Transpek Industries Ltd.
- Payal Polyplast Pvt. Ltd.
- Aditya-Birla Grasim Cellulosic
- Tarak Chemicals Ltd.
- Amoli Organics Pvt. Ltd.
- Excel Industries Ltd.
- Sagar Drugs And Pharmaceuticals Pvt. Ltd.
- Greenovat Organics Pvt. Ltd.
- Chemcon Speciality Chemicals Pvt. Ltd.
- Link Pharma Chem Ltd
- Raycon Distributors
- Kamala Intermediates
- Flowtech Instruments Services
- Surya Engineering Company



PARAFLON ENGG. CO.

AN ISO 9001:2015 CERTIFIED COMPANY



490-491/E-31, Chandan Complex,
GIDC Estate, Makarpura,
Vadodara 390 021, Gujarat, INDIA

2707 Stonebridge Dr, Racine, WI 53404, USA